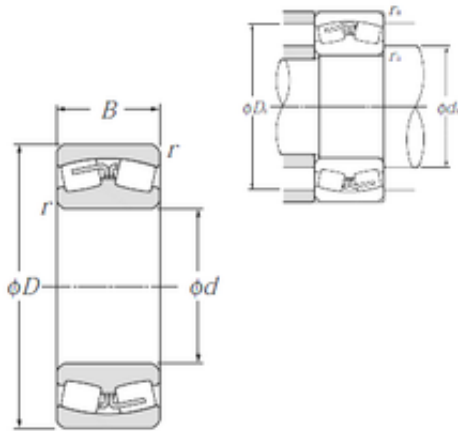




# Jinan QiMing Bearing Co., Ltd.

## 23952 NTN Spherical Roller Bearings



Bearing No. 23952

Size	260x360x75 mm
Bore Diameter	260 mm
Outer Diameter	360 mm
Width	75 mm
d	260 mm
D	360 mm
B	75 mm
C	75 mm
r min.	2,1 mm
da min.	272 mm
Da max.	348 mm
ra max.	2 mm
Weight	24 Kg
Basic dynamic load rating (C)	760 kN
Basic static load rating (C0)	1 580 kN
(Grease) Lubrication Speed	920 r/min
(Oil) Lubrication Speed	1 200 r/min
Calculation factor (e)	0,19
Calculation factor (Y0)	3,45
Calculation factor (Y1)	3,53
Category	Spherical Roller Bearings
Inventory	0.0
Manufacturer Name	NTN
Minimum Buy Quantity	N/A
Weight / Kilogram	23.58
Product Group	B04311

23952 Bearing 2D drawings and 3D CAD models



## Jinan QiMing Bearing Co., Ltd.

Internal Clearance	C0-Medium
Mounting Method	Shaft Mount
Rolling Element	Spherical Roller Bearing
Bore Profile	Straight
Cage Material	Bronze
Enclosure	Open
Number of Rows of Rollers	Double Row
Relubricatable	Yes
Withdrawal Sleeve	Not Applicable
Withdrawal Nut	Not Applicable
Inch - Metric	Metric
Long Description	260MM Straight Bore; 360MM Outside Diameter; 75MM Width; C0-Medium Clearance; Shaft Mount; Double Row of Spherical Roller Bearings; Bronze Cage Material; Open Enclosure; Relubricatable
Category	Spherical Roller Bearing
UNSPSC	31171510
Harmonized Tariff Code	84823080
Noun	Bearing
Keyword String	Spherical
Manufacturer URL	<a href="http://www.ntnamerica.com">http://www.ntnamerica.com</a>
Weight / LBS	51.935
Outside Diameter	14.173 Inch   360 Millimeter
Bore	10.236 Inch   260 Millimeter
Width	2.953 Inch   75 Millimeter
Adapter Part Number	Not Applicable Inch   Not Applicable Millimeter